

# RV AQUAJET II

Model: 55-AQUAJET-ORV

## OPERATING FEATURES

- Motor speed adjusts to water needs
- Positive shut-off at 75 to 85 PSI
- Pressure relief safety valve
- Capable of sustained low voltage operation

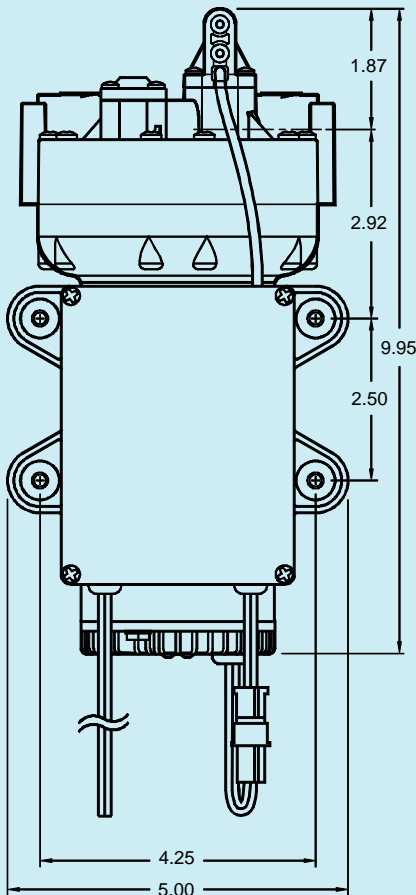
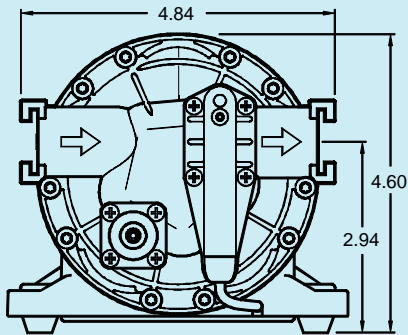
## SPECIFICATIONS:

- **MOTOR:**
  - TYPE: 12 VDC, Permanent Magnet, Totally Enclosed, Non-Ventilated
  - LEADS: 14 AWG, 12" Long, Black Negative, Red Positive. TO AVOID PERMANENT ELECTRONIC DAMAGE, DO NOT REVERSE POLARITY.
  - TEMP. LIMITS: See Heat Rise Graph
- **SPEED CONTROLLER:** Factory Set to Approximately 10 Amps Max. Thermally Protected to Avoid Component Damage. Will Reset Automatically. CAUTION: Exterior Surfaces (heat sink), May Exceed 150°F After Only 15 Minutes of Operation.
- **PUMP DESIGN:** 5 Chamber Diaphragm Pump, Self Priming, Capable of Being Run Dry
- **TYPICAL APPLICATION:** Water Pressurization for RV and Marine
- **MATERIALS:**
  - PUMP HOUSINGS: Polypropylene
  - CONTROLLER HOUSING: Nylon
  - VALVES: EPDM
  - DIAPHRAGM: Santoprene
  - FASTENERS: Stainless Steel
- **LIQUID TEMPERATURE:** 140°F (60°C) Max.
- **PUMP CERTIFICATIONS:** IAPMO, NSF
- **PRIMING CAPABILITIES:** 13 Feet
- **AVAILABLE QUICK-CONNECT FITTINGS:**

TYPE	SHAPE	HOSE BARB SIZE		
		1/2"	5/8"	3/4"
HOSE BARB	STRAIGHT	QBS-554	QBS-555	QBS-556
HOSE BARB	ELBOW	QBE-554	QBE-555	QBE-556
THREADED 1/2" MALE QUEST				QTS-556

## OPTIONAL RECOMMENDED ACCESSORIES:

- 40 MESH STRAINER WITH QUICK-CONNECT ATTACHMENT (P/N 25-181)
- PULSATION DAMPENING FLEXIBLE HOSE WITH 1/2" QUEST TERMINATION (P/N 25-174 WITH QBE-554 ELBOW, OR P/N 25-175 WITH QBS-554 STRAIGHT)



WEIGHT: 8 lbs.



Aquatec Water Systems, Inc.  
 17422 Pullman  
 Irvine, CA 92614  
 Sales: 949-225-2200  
 Fax: 949-225-2222

www.aquatec.com

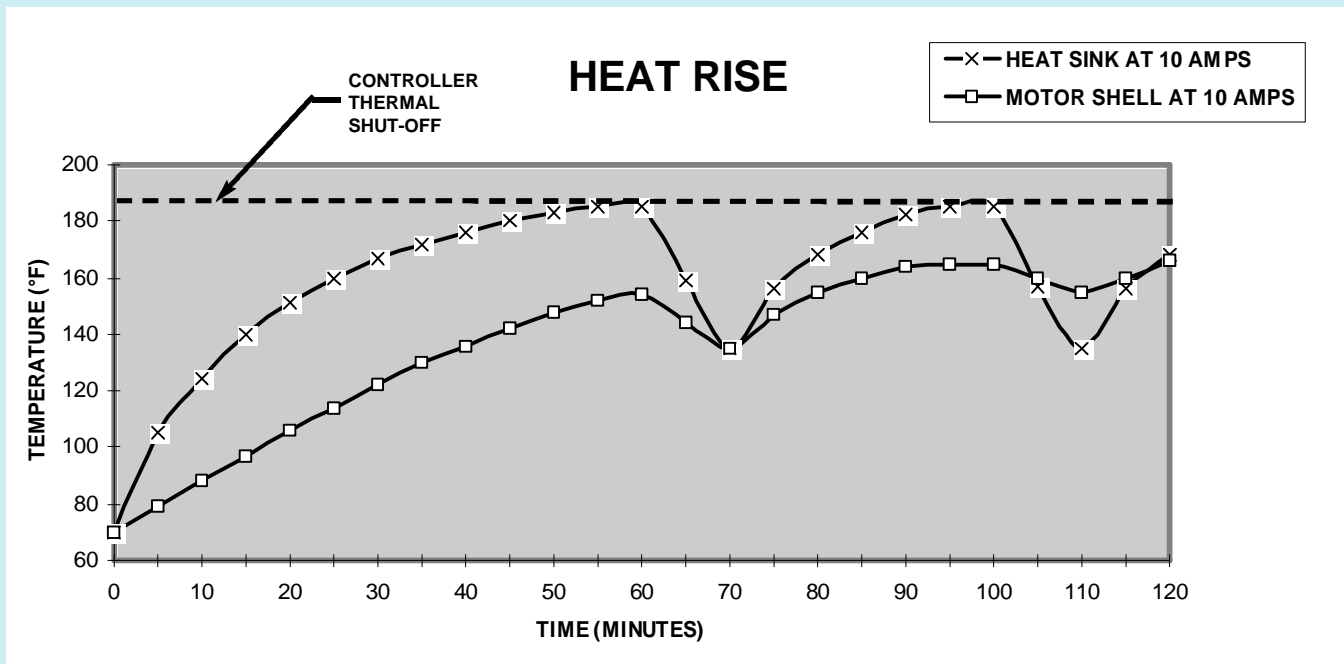
DOCUMENT: DS55-AQUAJET-ORV  
 ISSUED: 10/18/04  
 REVISED: 10/18/04

# RV AQUAJET II

Model: 55-AQUAJET-ORV

PERFORMANCE DATA				
DISCHARGE PRESSURE		FLOW		CURRENT
(PSI)	(BAR)	(GPM)	(LPM)	(AMPS)
65	4.4	0.70	2.65	10.00
60	4.0	1.00	3.78	10.00
50	3.4	1.50	5.78	10.00
40	2.7	2.20	8.32	10.00
30	2.0	2.80	10.50	10.00
20	1.4	3.80	14.36	9.70
10	0.7	4.50	17.01	8.40
OPEN	OPEN	5.00	18.90	7.20

PERFORMANCE MEASURED WITH FLOODED INLET (0 PSI), 70°F (21°C) AMBIENT AND WATER TEMPERATURE, AND A 12 VDC, DEEP CYCLE, RV BATTERY. VOLTAGE AT THE PUMP IS APPROXIMATELY 11 VDC. POSITIVE INLET PRESSURE WILL INCREASE THE DISCHARGE PRESSURE BY A SIMILAR AMOUNT, FOR A GIVEN FLOW. MAXIMUM INLET PRESSURE IS 60 PSI.



The RV Aquajet II Pump is capable of sustaining continuous running for approximately 1 hour, as shown in the above Heat Rise graph. The Speed Controller is equipped with an auto reset thermal protector that will shut down the system, allowing the components to cool. After approximately 10 minutes the pump will restart.

ALL PERFORMANCE AND HEAT RISE FIGURES ARE APPROXIMATE. ACTUAL VALUES WILL VARY WITH AMBIENT CONDITIONS.